

SPECIFICATIONS	Model 40PU2.15S	PU-series							
		0.15kW, 1-phase							
<p>Type of Pump Submersible vortex pump made of 304 stainless steel and resin suitable for pumping sewage, wastewater, storm water, etc.</p> <p>Type of Fluid Sewage, wastewater, and water carrying solid matters</p> <p>Temperature: 0 to 40°C</p> <p>Discharge Bore 40mm</p> <p>Motor Output 0.15kW</p> <p>Power Supply Single-phase</p> <p>Starting Method Capacitor Run</p> <p>Motor Continuous-duty rated, dry-type induction motor</p> <p>Insulation Class: E Degree of Protection: IP68</p> <p>No. of Poles & Speed (Synchronous Speed) 2-pole, 3000/3600min⁻¹ (50/60Hz)</p> <p>Power Supply Voltages & Rated Currents</p> <table border="0"> <tr> <td>50Hz</td> <td>60Hz</td> </tr> <tr> <td>220V – 1.6A</td> <td>110V – 3.2A</td> </tr> <tr> <td>230V – 1.6A</td> <td>220V – 1.6A</td> </tr> <tr> <td>240V – 1.7A</td> <td></td> </tr> </table> <p>Power Cable Sheath: PVC Standard Length: 5m 100 to 240V supply: 1 × 3 × 1.25mm², O.D. 10.1mm</p> <p>Dry Weight (excluding cable) Standard Model: 6.1kg Auto & Auto-Alternation Model: 6.7kg</p>	50Hz	60Hz	220V – 1.6A	110V – 3.2A	230V – 1.6A	220V – 1.6A	240V – 1.7A		<p>Impeller Vortex impeller made of glass-fiber reinforced PPO</p> <p>Solids Passage 50Hz – ϕ35mm 60Hz – ϕ35mm</p> <p>Cable Entry with Anti-Wicking Block Watertight cable entry with strain-relief device. The anti-wicking block prevents water incursion due to capillary action should the power cable be damaged or the end submerged.</p> <p>Bearings Permanently lubricated, deep-groove, double-shielded C3 ball bearings</p> <p>Shaft 420 stainless steel</p> <p>Shaft Seal (Mechanical Seal) Furnished with a double-face mechanical seal located in oil chamber. Both upper and lower seal faces always run in a clean environment.</p> <p>Upper Seal Faces: Ceramic + Carbon Lower Seal Faces: SiC + Ceramic</p> <p>OIL LIFTER (Patented) Equipped in oil chamber. It forcibly supplies lubricating oil to the mechanical seal and continues to supply the oil to the upper seal faces even if lubricant falls below the rated volume.</p> <p>Type of Lubricating Oil & Volume Liquid Paraffin (ISO VG32), 150ml</p> <p>Motor Protection Device A miniature thermal protector is embedded in each winding of the motor. Should excessive heat builds up, the bimetal strip opens to cause the control panel to shut the power supply.</p>
50Hz	60Hz								
220V – 1.6A	110V – 3.2A								
230V – 1.6A	220V – 1.6A								
240V – 1.7A									
<p>Optional Accessories</p> <p>TOK Set (Guide Rail Fitting Type)</p> <ul style="list-style-type: none"> • Duckfoot Bend • Guide Support • Guide Hook • Lifting Chain 4m (with Shackles) 									
TSURUMI MANUFACTURING CO., LTD.									

NO. A-14244-2

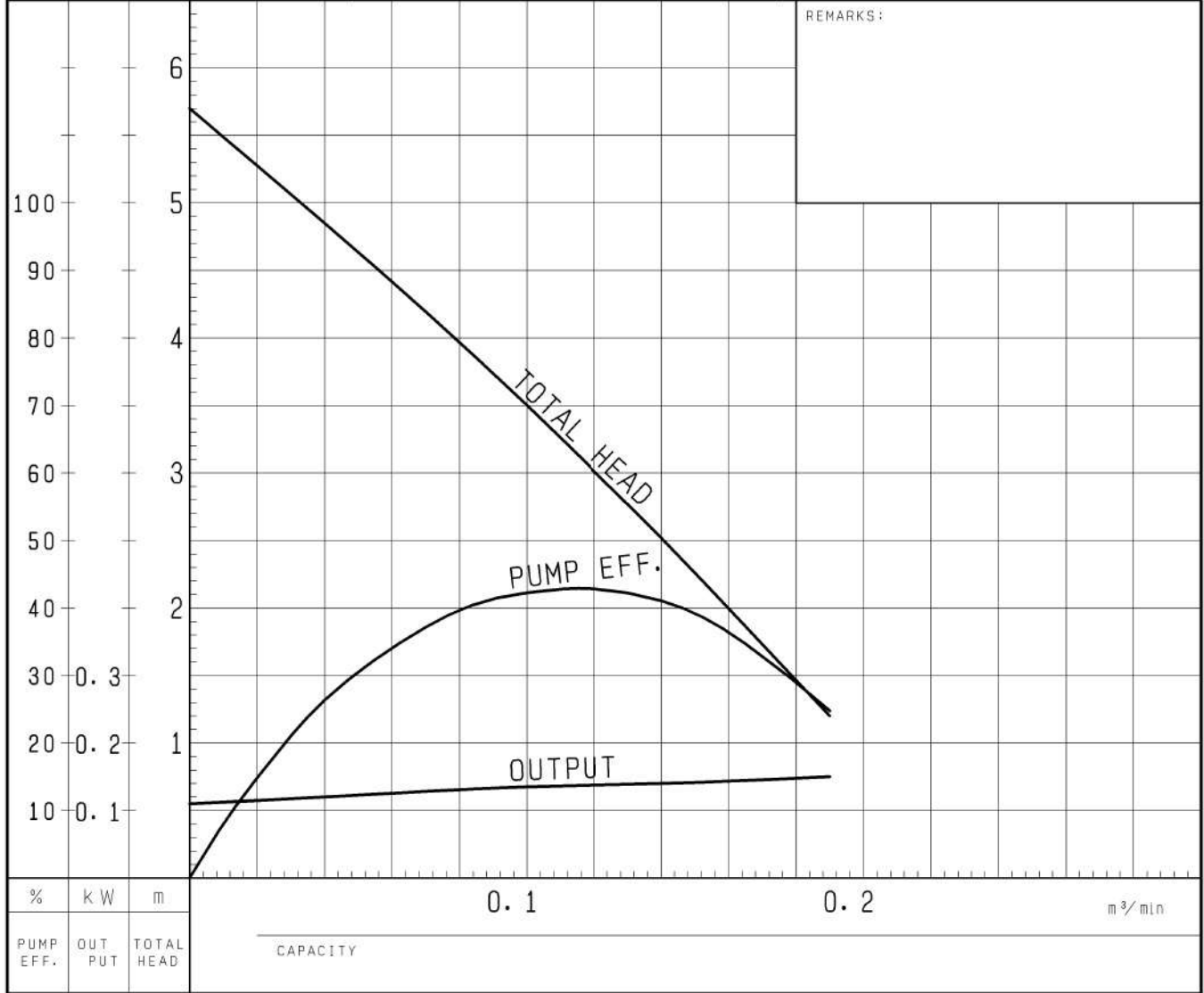
PUMP PERFORMANCE CURVES

TYPE Submersible Vortex Sewage Pump	MODEL 40PU (A/W) 2.15S -55	FREQUENCY 50 Hz
--	----------------------------	-----------------

CUSTOMER'S NAME _____

EQUIPMENT TITLE _____ NO. _____

	STANDARD SPECIFICATIONS	REQUIRED SPECIFICATIONS
DISCHARGE BORE	40 mm	mm
TOTAL HEAD	MAX. 5.7 m	m
CAPACITY	MAX. 0.19 m ³ /min	m ³ /min
MOTOR OUTPUT	0.15 kW	kW
PHASE x VOLTAGE	1 ϕ x V	ϕ x V
CURRENT	A	A
POLES / REVOLUTION	2 P / s. s. 3000 min ⁻¹	P / min ⁻¹
STARTING METHOD	CAPACITOR MOTOR	
INSULATION CLASS	E	

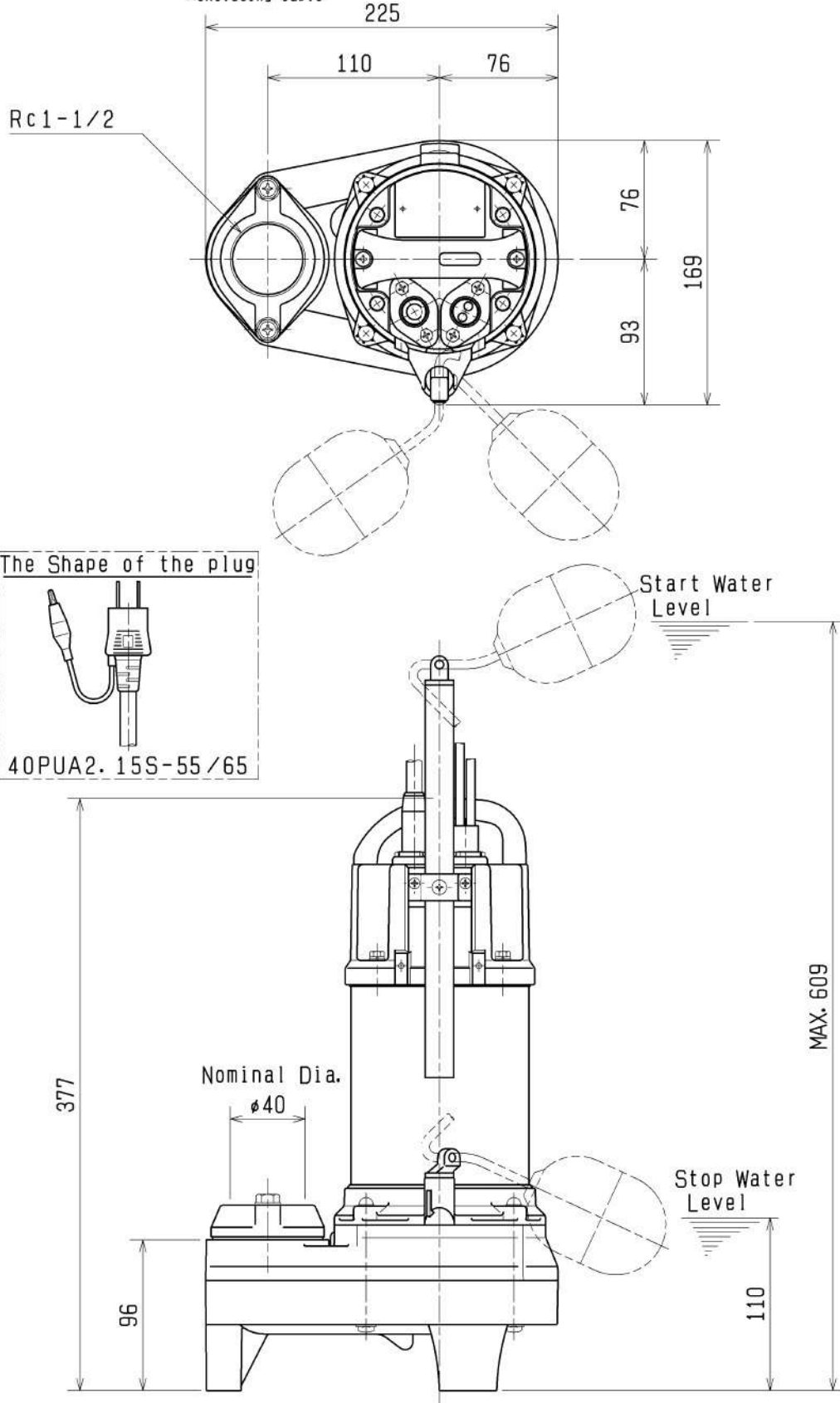


TSURUMI MFG. CO., LTD.

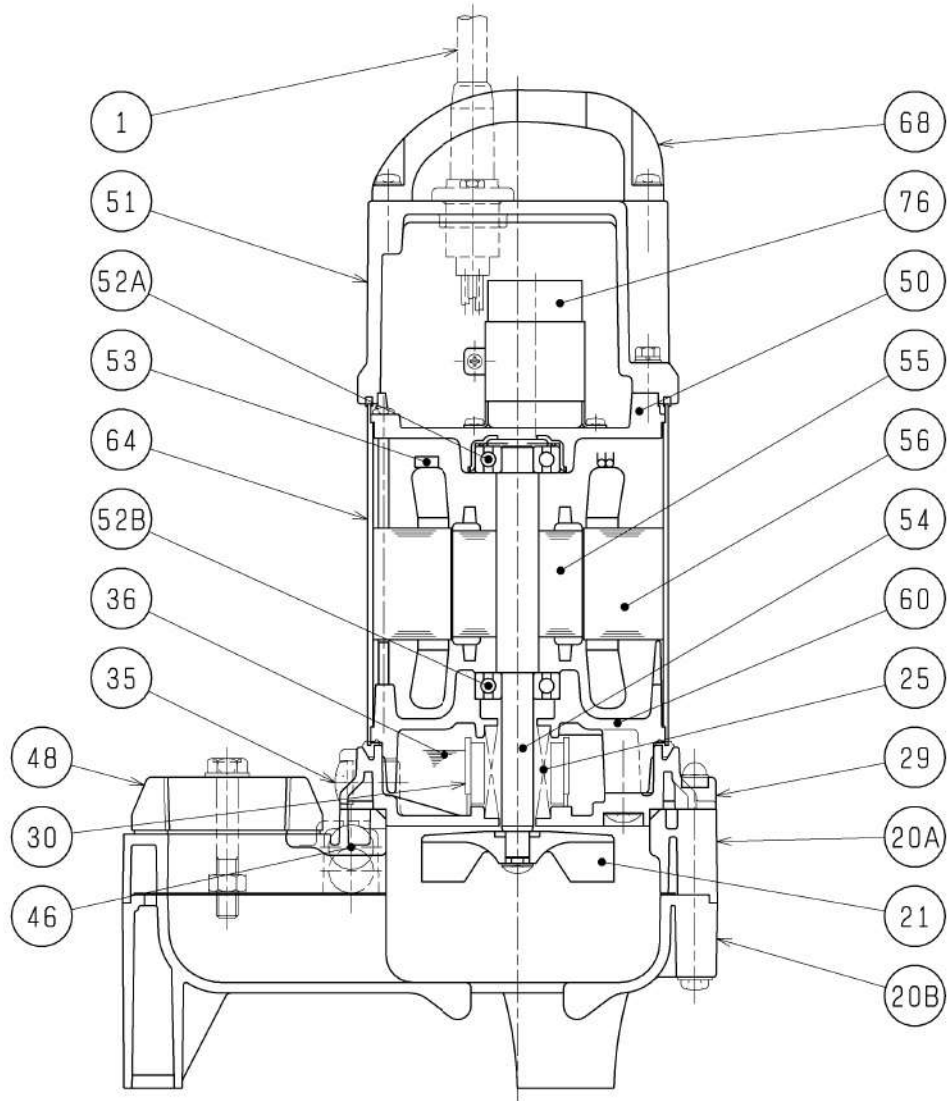
DIMENSION DRAWING		No.	No.	A-19551-2
TYPE	Submersible Vortex Sewage Pump (Automatic)	MODEL	40PUA2.15S -55/65	40PUA2.15 -54/64

MODEL	Approximate Weight (※)
40PUA2.15S-55/65	6.6kg
40PUA2.15-54/64	6.2kg

※excluding cable



SECTIONAL DRAWING		No.	No. A-19561-1
TYPE	Submersible Vortex Sewage Pump	MODEL	40PU2.15S -55/65



REQ. SPECIFICATION

No.	DESCRIPTION	QTY	MATERIAL / NOTE	No.	DESCRIPTION	QTY	MATERIAL / NOTE
1	Cable	1	PVC Sheath	52A	Upper Bearing	1	6201ZCC3
20A	Casing-upper Half	1	Plastic W/GF	52B	Lower Bearing	1	6201ZCC3
20B	Casing-lower Half	1	Plastic	53	Motor Protector	1	
21	Impeller	1	Plastic W/GF	54	Shaft	1	Stainless Steel 420J2
25	Mechanical Seal	1	D-12RC	55	Rotor	1	
29	Oil Casing	1	Plastic W/GF	56	Stator Complete	1	
30	Oil Lifter	1	Plastic	60	Bearing Housing	1	Aluminium Die Casting
35	Oil Plug	1	Stainless Steel 304	64	Motor Frame	1	Stainless Steel 304
36	Lubricant		Liquid Paraffin (ISO VG32)	68	Handle	1	Plastic
46	Air Release Valve	1	Glass Ball	76	Capacitor	1	
48	Screwed Flange	1	Plastic				
50	Motor Bracket	1	Aluminium Die Casting				
51	Head Cover	1	Plastic W/GF				