

SPECIFICATIONS	Model	40PU2.15							
		PU-series 0.15kW, 3-phase							
<p>Type of Pump Submersible vortex pump made of 304 stainless steel and resin suitable for pumping sewage, wastewater, storm water, etc.</p> <p>Type of Fluid Sewage, wastewater, and water carrying solid matters</p> <p>Temperature: 0 to 40°C</p> <p>Discharge Bore 40mm</p> <p>Motor Output 0.15kW</p> <p>Power Supply Three-phase</p> <p>Starting Method Direct on Line</p> <p>Motor Continuous-duty rated, dry-type induction motor</p> <p>Insulation Class: E Degree of Protection: IP68</p> <p>No. of Poles & Speed (Synchronous Speed) 2-pole, 3000/3600min⁻¹ (50/60Hz)</p> <p>Power Supply Voltages & Rated Currents</p> <table border="0"> <tr> <td>50Hz</td> <td>60Hz</td> </tr> <tr> <td>380V – 0.6A</td> <td>220V – 1.15A</td> </tr> <tr> <td>400V – 0.6A</td> <td>380V – 0.7 A</td> </tr> <tr> <td>415V – 0.6A</td> <td>440V – 0.6 A</td> </tr> </table> <p>Power Cable Sheath: PVC Standard Length: 6m 200 to 600V supply: 1 × 4 × 1.25mm², O.D. 11.1mm</p> <p>Dry Weight (excluding cable) Standard Model: 5.6kg Auto & Auto-Alternation Model: 6.3kg</p>	50Hz	60Hz	380V – 0.6A	220V – 1.15A	400V – 0.6A	380V – 0.7 A	415V – 0.6A	440V – 0.6 A	<p>Impeller Vortex impeller made of glass-fiber reinforced PPO</p> <p>Solids Passage 50Hz – ϕ35mm 60Hz – ϕ35mm</p> <p>Cable Entry with Anti-Wicking Block Watertight cable entry with strain-relief device. The anti-wicking block prevents water incursion due to capillary action should the power cable be damaged or the end submerged.</p> <p>Bearings Permanently lubricated, deep-groove, double-shielded C3 ball bearings</p> <p>Shaft 420 stainless steel</p> <p>Shaft Seal (Mechanical Seal) Furnished with a double-face mechanical seal located in oil chamber. Both upper and lower seal faces always run in a clean environment.</p> <p>Upper Seal Faces: Ceramic + Carbon Lower Seal Faces: SiC + Ceramic</p> <p>OIL LIFTER (Patented) Equipped in oil chamber. It forcibly supplies lubricating oil to the mechanical seal and continues to supply the oil to the upper seal faces even if lubricant falls below the rated volume.</p> <p>Type of Lubricating Oil & Volume Liquid Paraffin (ISO VG32), 150ml</p> <p>Motor Protection Device A circle thermal protector built in the motor housing. Directly cuts the motor circuit if excessive heat builds up or an overcurrent condition occurs in the motor.</p>
50Hz	60Hz								
380V – 0.6A	220V – 1.15A								
400V – 0.6A	380V – 0.7 A								
415V – 0.6A	440V – 0.6 A								
<p>Optional Accessories</p> <p>TOK Set (Guide Rail Fitting Type)</p> <ul style="list-style-type: none"> • Duckfoot Bend • Guide Support • Guide Hook • Lifting Chain 4m (with Shackles) 									
TSURUMI MANUFACTURING CO., LTD.									

No. A-14246-1

PUMP PERFORMANCE CURVES

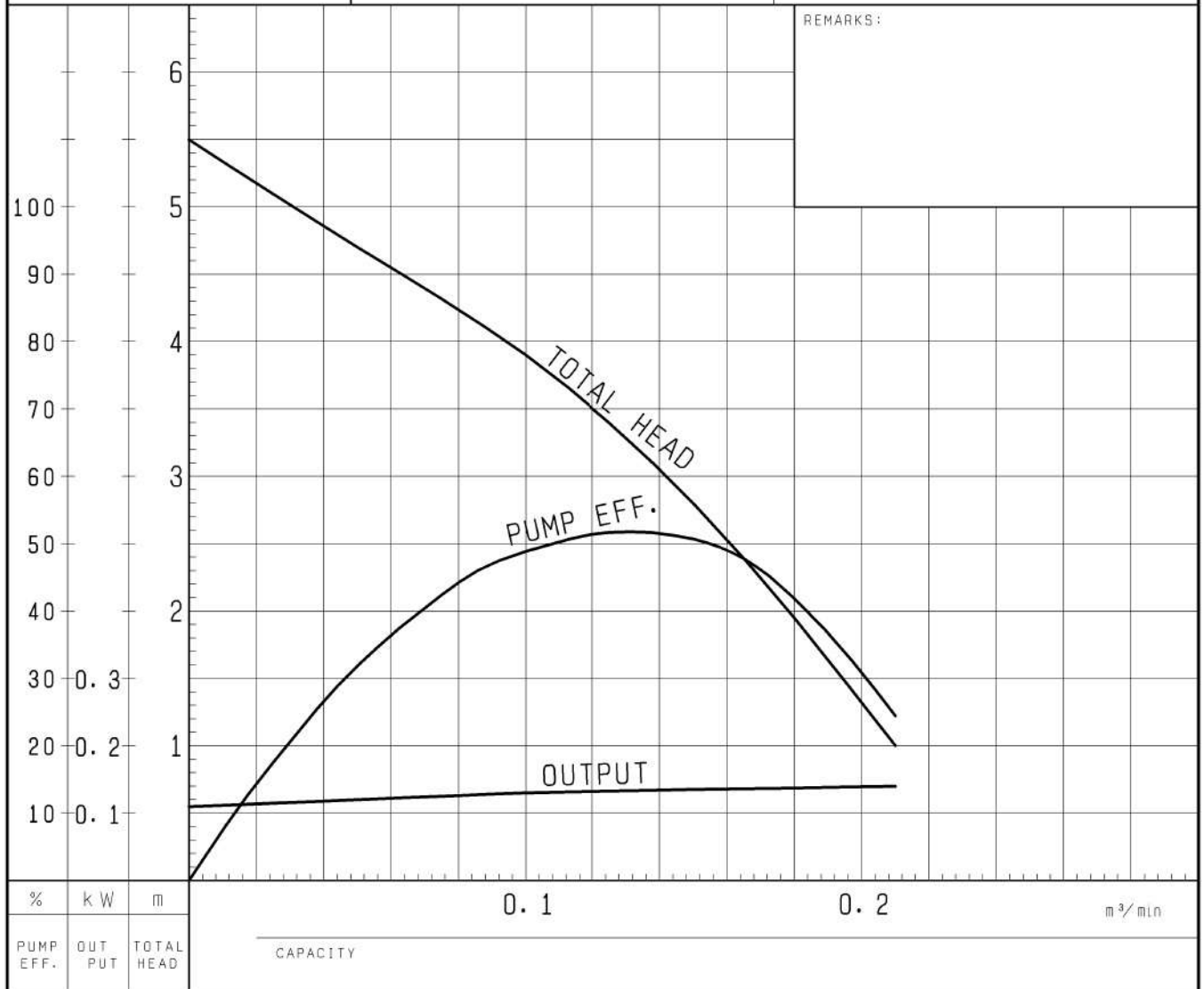
TYPE	Submersible Vortex Sewage Pump	MODEL	40PU (A/W) 2.15 -54	FREQUENCY	50 Hz
------	-----------------------------------	-------	---------------------	-----------	-------

CUSTOMER'S NAME _____

EQUIPMENT TITLE _____

NO. _____

	STANDARD SPECIFICATIONS	REQUIRED SPECIFICATIONS
DISCHARGE BORE	40 mm	mm
TOTAL HEAD	MAX. 5.5 m	m
CAPACITY	MAX. 0.21 m ³ /min	m ³ /min
MOTOR OUTPUT	0.15 kW	kW
PHASE x VOLTAGE	3 ϕ x V	ϕ x V
CURRENT	A	A
POLES / REVOLUTION	2 P / s. s. 3000 min ⁻¹	P / min ⁻¹
STARTING METHOD	DIRECT ON LINE	
INSULATION CLASS	E	

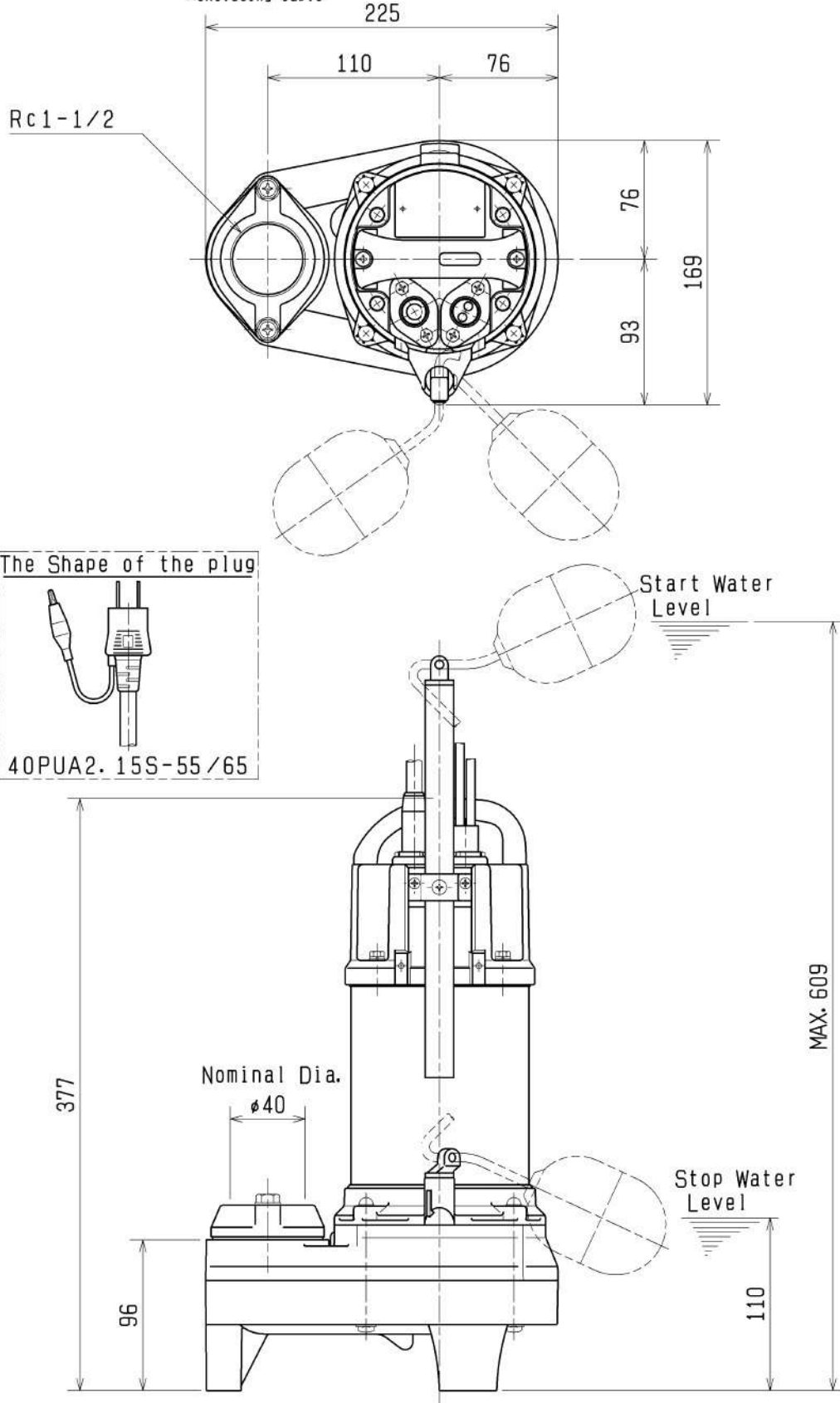


TSURUMI MFG. CO., LTD.

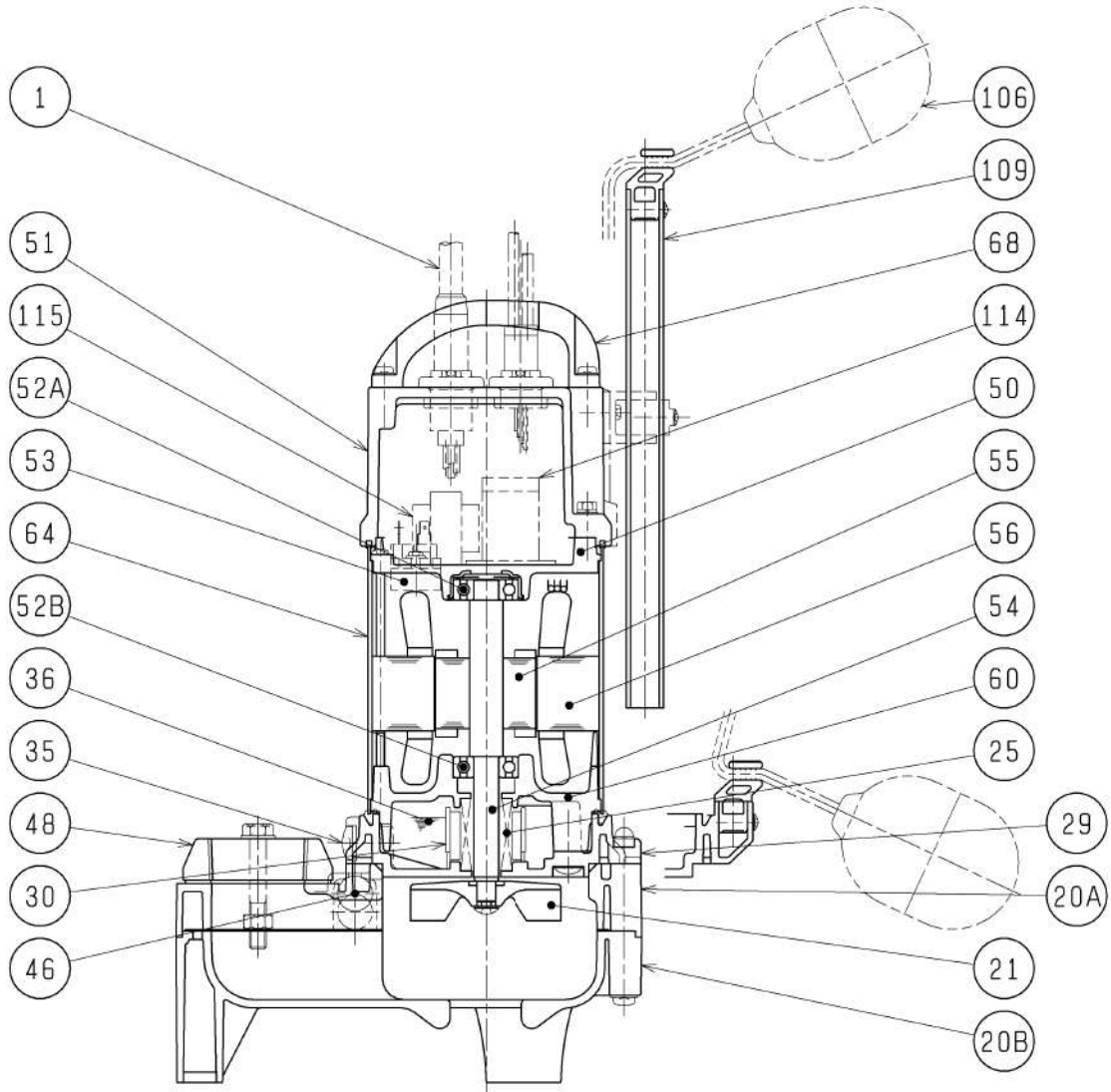
DIMENSION DRAWING		No.	No.	A-19551-2
TYPE	Submersible Vortex Sewage Pump (Automatic)	MODEL	40PUA2.15S -55/65	-54/64

MODEL	Approximate Weight (※)
40PUA2.15S-55/65	6.6kg
40PUA2.15 -54/64	6.2kg

※excluding cable



SECTIONAL DRAWING		No.	No. A-19565-1
TYPE	Submersible Vortex Sewage Pump (Automatic)	MODEL	40PUA2.15 -54/64



REQ. SPECIFICATION		

No.	DESCRIPTION	Q'TY	MATERIAL / NOTE	No.	DESCRIPTION	Q'TY	MATERIAL / NOTE
1	Cable	1	PVC Sheath	52B	Lower Bearing	1	6201ZC3
20A	Casing-upper Half	1	Plastic W/GF	53	Motor Protector	1	
20B	Casing-lower Half	1	Plastic	54	Shaft	1	Stainless Steel 420J2
21	Impeller	1	Plastic W/GF	55	Rotor	1	
25	Mechanical Seal	1	D-12RC	56	Stator Complete	1	
29	Oil Casing	1	Plastic W/GF	60	Bearing Housing	1	Aluminium Die Casting
30	Oil Lifter	1	Plastic	64	Motor Frame	1	Stainless Steel 304
35	Oil Plug	1	SUS304	68	Handle	1	Plastic
36	Lubricant		Liquid Paraffin (ISO VG32)	106	Float	2	Plastic
46	Air Release Valve	1	Glass Ball	109	Float Support Pipe	1	PVC
48	Screwed Flange	1	Plastic	114	Power Relay	1	
50	Motor Bracket	1	Aluminium Die Casting	115	Transformer	1	
51	Head Cover	1	Plastic W/GF				
52A	Upper Bearing	1	6201ZC3				