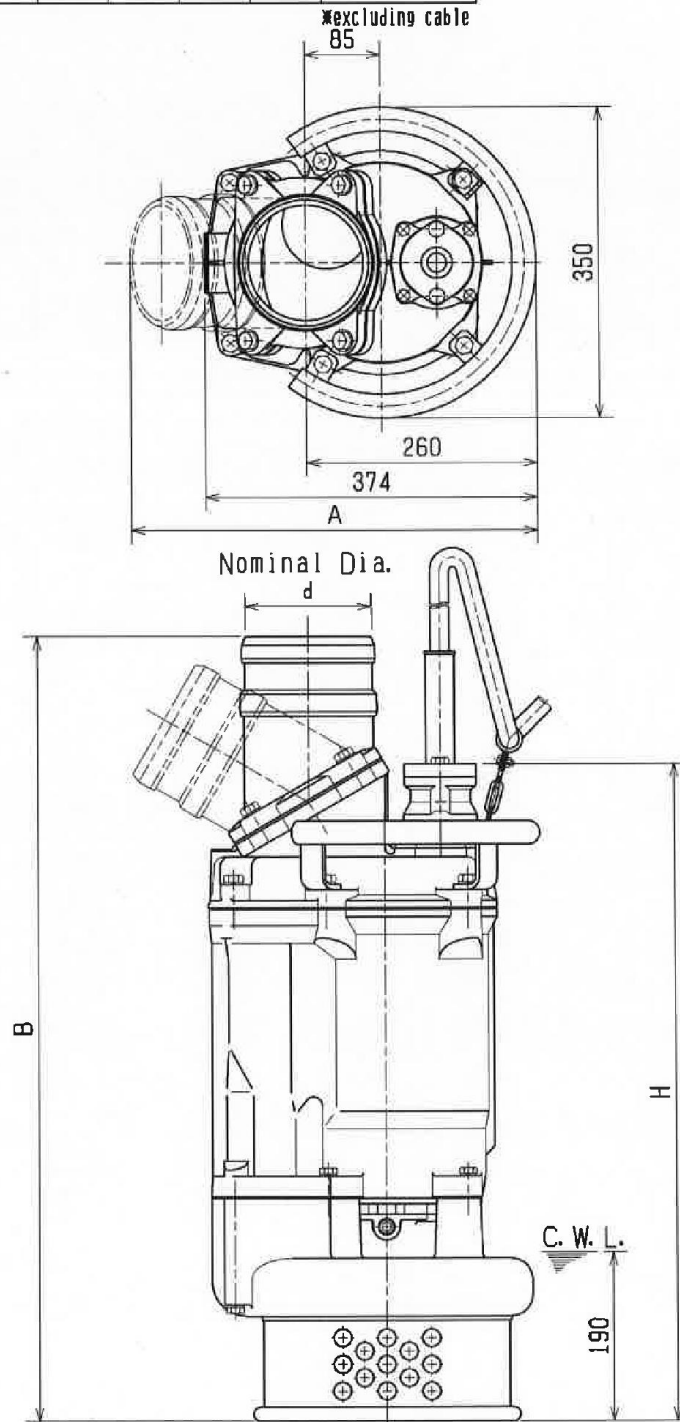


SPECIFICATIONS	Model KTZ415	KTZ-series 15kW, 3-phase
		<p>Type of Pump Submersible high head drainage pump for construction and foundation works, floodwater drainage, etc.</p> <p>Type of Fluid Stormwater, groundwater, wash water, and sand-carrying water</p> <p>Temperature: 0 to 40°C</p> <p>Discharge Bore & Connection 100mm, Multi-directional Hose Coupling</p> <p>Motor Output 15kW</p> <p>Power Supply Three-phase</p> <p>Starting Method Direct on Line (Star-Delta available on special request)</p> <p>Motor Continuous-duty rated, dry-type induction motor</p> <p>Insulation Class: F Degree of Protection: IP68</p> <p>No. of Poles & Speed (Synchronous Speed) 2-pole, 3000/3600min⁻¹ (50/60Hz)</p> <p>Power Supply Voltages & Rated Currents 50Hz 380V – 29.5A 400V – 28.3A 415V – 27.4A</p> <p>Power Cable Sheath: Chloroprene rubber Standard Length: 8m 380 to 600V supply: 1 x 4 x 5.5mm², O.D. 19.8mm</p> <p>Dry Weight (excluding cable) 146kg</p>
TSURUMI MANUFACTURING CO., LTD.		

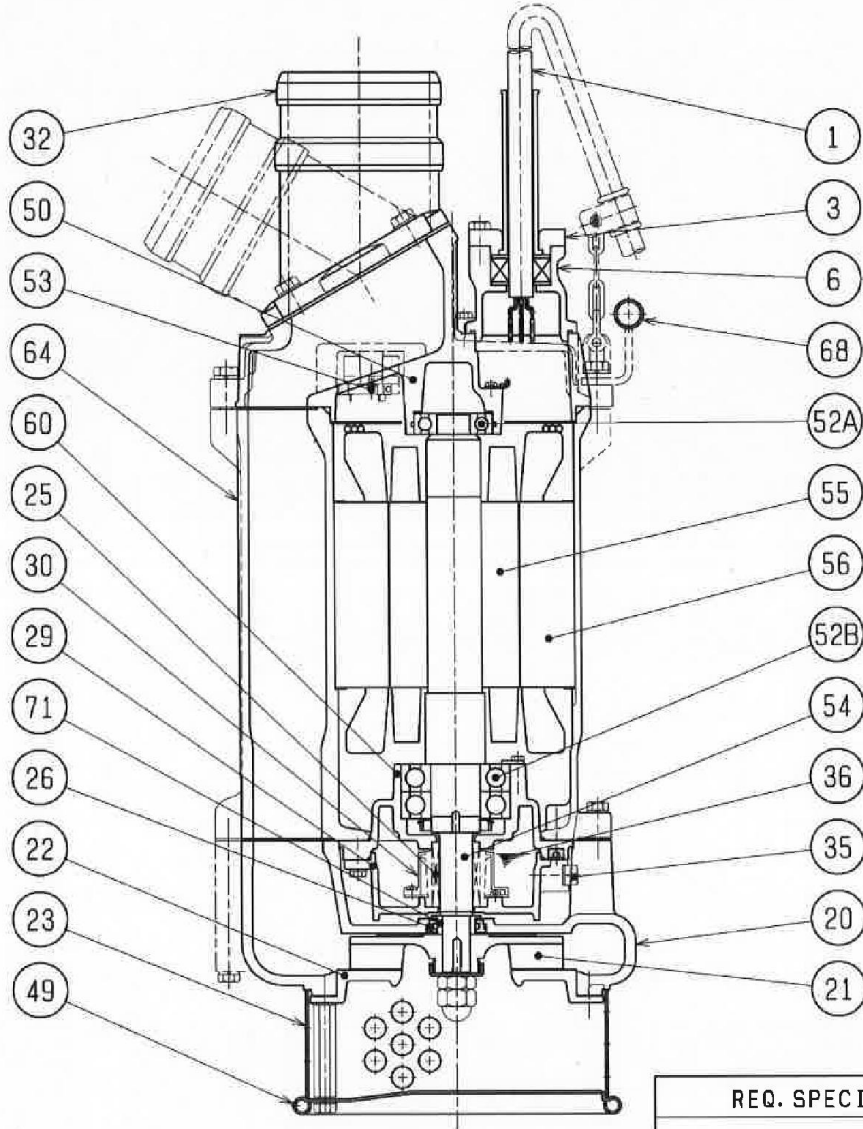
DIMENSION DRAWING		No.	No.
TYPE	Submersible Dewatering Pump	MODEL	KTZ411 -53/63 KTZ415 -51 KTZ611 -53/63 KTZ615 -51

MODEL	d	A	B	H	Approximate Weight (※)
KTZ411-53/63	100	428	864	740	133kg
KTZ611-53/63	150	884	740	133kg	
KTZ415-51	100	428	934	810	146kg
KTZ615-51	150	457	954	810	147kg



C. W. L. :Continuous running Water Level

SECTIONAL DRAWING		No.	No.
TYPE	Submersible Dewatering Pump	MODEL	KTZ415 -51 KTZ615 -51


REQ. SPECIFICATION

No.	DESCRIPTION	QTY	MATERIAL / NOTE	No.	DESCRIPTION	QTY	MATERIAL / NOTE
1	Cable	1	Chloroprene Sheath	49	Bottom Plate	1	Steel Sheet
3	Gland	1	Gray Iron Casting	50	Motor Bracket	1	Gray Iron Casting
6	Stuffing Box	1	Gray Iron Casting	52A	Upper Bearing	1	6306ZZC3
20	Pump Casing	1	Gray Iron Casting	52B	Lower Bearing	1	6309ZZD2C3
21	Impeller	1	Chromium Iron Casting	53	Motor Protector	1	
22	Suction Cover	1	Ductile Iron Casting	54	Shaft	1	Stainless Steel 420J2
23	Strainer	1	Steel Sheet	55	Rotor	1	
25	Mechanical Seal	1	H-30T	56	Stator	1	
26	Labyrinth Ring	1	Stainless Steel 304	60	Bearing Housing	1	Gray Iron Casting
29	Oil Casing	1	Gray Iron Casting	64	Motor Frame	1	Gray Iron Casting
30	Oil Lifter	1	Plastic	68	Handle	1	Carbon Steel Pipe & Structure Steel
32	Hose Coupling	1	Gray Iron Casting	71	Shaft Sleeve	1	Stainless Steel 403
35	Oil Plug	1	Stainless Steel 304				
36	Lubricant		Turbine Oil (ISO VG32)				

NO. _____

PUMP PERFORMANCE CURVES

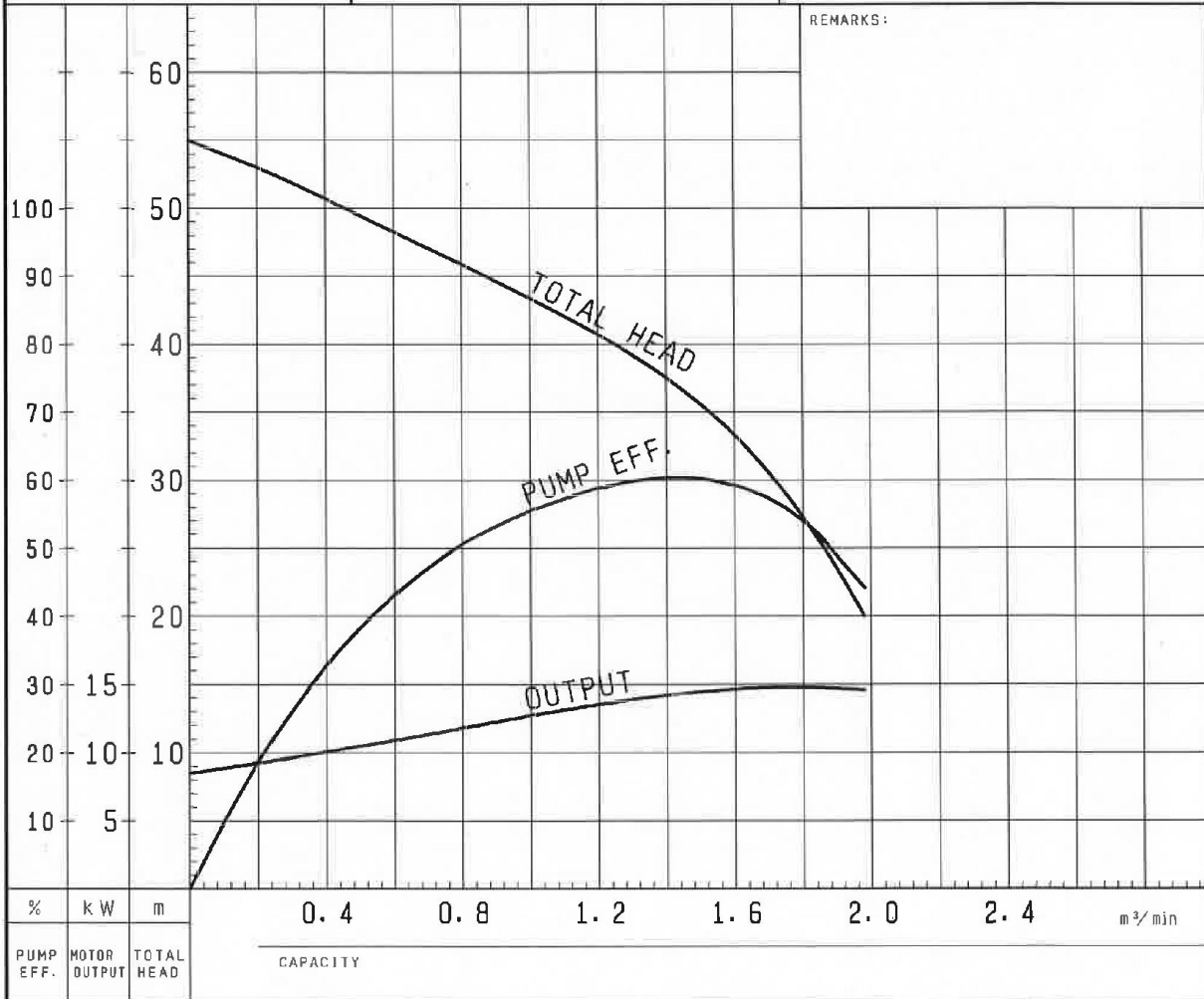
TYPE Submersible Dewatering Pump	MODEL KTZ415 -51	FREQUENCY 50 Hz
----------------------------------	------------------	-----------------

CUSTOMER'S NAME _____

EQUIPMENT TITLE _____

NO. _____

	STANDARD SPECIFICATIONS	REQUIRED SPECIFICATIONS
DISCHARGE BORE	100 mm	mm
TOTAL HEAD	MAX. 55 m	m
CAPACITY	MAX. 1.98 m ³ /min	m ³ /min
MOTOR OUTPUT	15 kW	kW
PHASE × VOLTAGE	3 φ × V	φ × V
CURRENT	A	A
POLES / REVOLUTION	2 P / S. S. 3000 min ⁻¹	P / min ⁻¹
STARTING METHOD	DIRECT ON LINE	
INSULATION CLASS	F	



TSURUMI MFG. CO., LTD.