

SPECIFICATIONS	Model	50PU2.4	
		PU-series 0.4kW, 3-phase	

Type of Pump

Submersible vortex pump made of 304 stainless steel and resin suitable for pumping sewage, wastewater, storm water, etc.

Type of Fluid

Sewage, wastewater, and water carrying solid matters

Temperature: 0 to 40°C

Discharge Bore

50mm

Motor Output

0.4kW

Power Supply

Three-phase

Starting Method

Direct on Line

Motor

Continuous-duty rated, dry-type induction motor

Insulation Class: E

Degree of Protection: IP68

No. of Poles & Speed (Synchronous Speed)

2-pole, 3000/3600min⁻¹ (50/60Hz)

Power Supply Voltages & Rated Currents

50Hz	60Hz
380V – 1.2 A	220V – 2.0A
400V – 1.2 A	380V – 1.1A
415V – 1.25A	440V – 1.0A

Power Cable

Sheath: PVC

Standard Length: 6m

200 to 600V supply:

1 × 4 × 1.25mm², O.D. 11.1mm

Dry Weight (excluding cable)

Standard Model: 7kg

Auto & Auto-Alternation Model: 7.7kg

Impeller

Vortex impeller made of glass-fiber reinforced PPO

Solids Passage

50Hz – ϕ 35mm

60Hz – ϕ 35mm

Cable Entry with Anti-Wicking Block

Watertight cable entry with strain-relief device. The anti-wicking block prevents water incursion due to capillary action should the power cable be damaged or the end submerged.

Bearings

Permanently lubricated, deep-groove, double-shielded C3 ball bearings

Shaft

304 stainless steel

Shaft Seal (Mechanical Seal)

Furnished with a double-face mechanical seal located in oil chamber. Both upper and lower seal faces always run in a clean environment.

Upper Seal Faces: Ceramic + Carbon

Lower Seal Faces: SiC + Ceramic

OIL LIFTER (Patented)

Equipped in oil chamber. It forcibly supplies lubricating oil to the mechanical seal and continues to supply the oil to the upper seal faces even if lubricant falls below the rated volume.

Type of Lubricating Oil & Volume

Liquid Paraffin (ISO VG32), 240ml

Motor Protection Device

A circle thermal protector built in the motor housing. Directly cuts the motor circuit if excessive heat builds up or an overcurrent condition occurs in the motor.

Optional Accessories
TOK Set (Guide Rail Fitting Type)

- Duckfoot Bend
- Guide Support
- Guide Hook
- Lifting Chain 4m (with Shackles)

NO. A-09949-1

PUMP PERFORMANCE CURVES

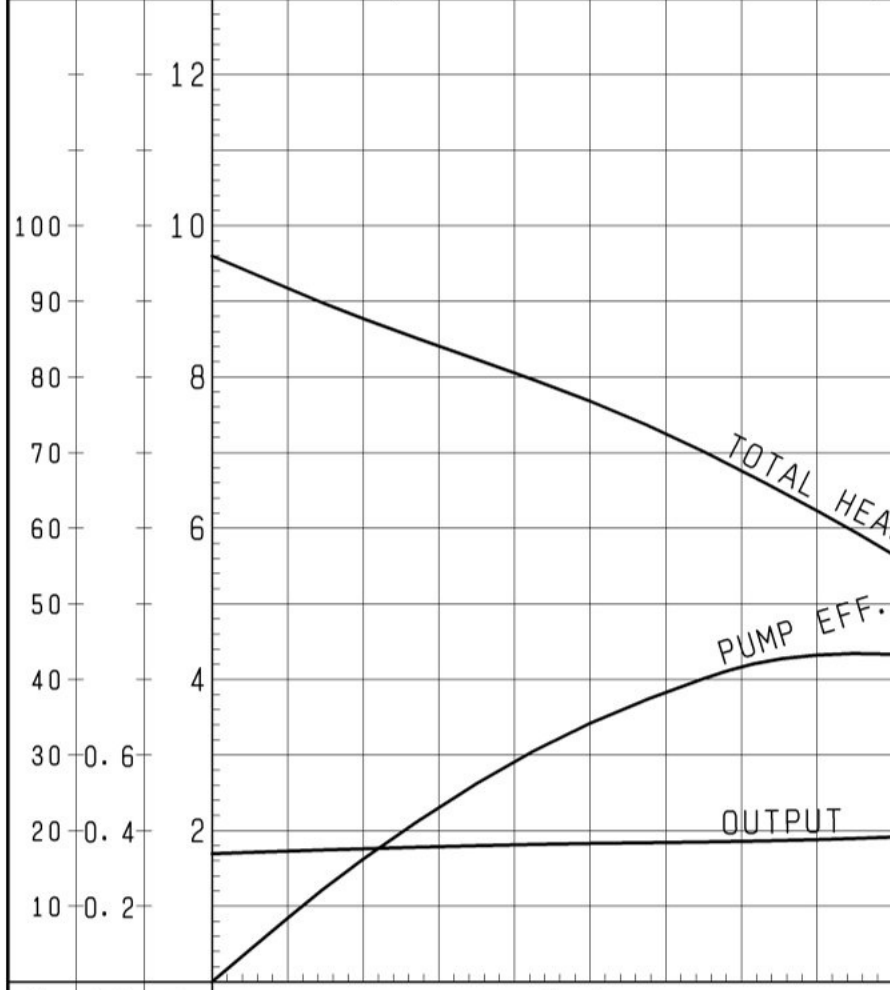
TYPE Sewage Submersible Vortex Pump	MODEL 50PU2.4 -53 50PUA2.4 -53 50PUW2.4 -53	FREQUENCY 50 Hz
--	--	--------------------

CUSTOMER'S NAME _____

EQUIPMENT TITLE _____ NO. _____

	STANDARD SPECIFICATIONS	REQUIRED SPECIFICATIONS
DISCHARGE BORE	50 mm	mm
TOTAL HEAD	6.5 m	m
CAPACITY	0.15 m ³ /min	m ³ /min
MOTOR OUTPUT	0.4 kW	kW
PHASE x VOLTAGE	3 ϕ x V	ϕ x V
CURRENT	A	A
POLES / REVOLUTION	2 P / S. S. 3000 min ⁻¹	P / min ⁻¹
STARTING METHOD	DIRECT ON LINE	
INSULATION CLASS	E	

REMARKS:

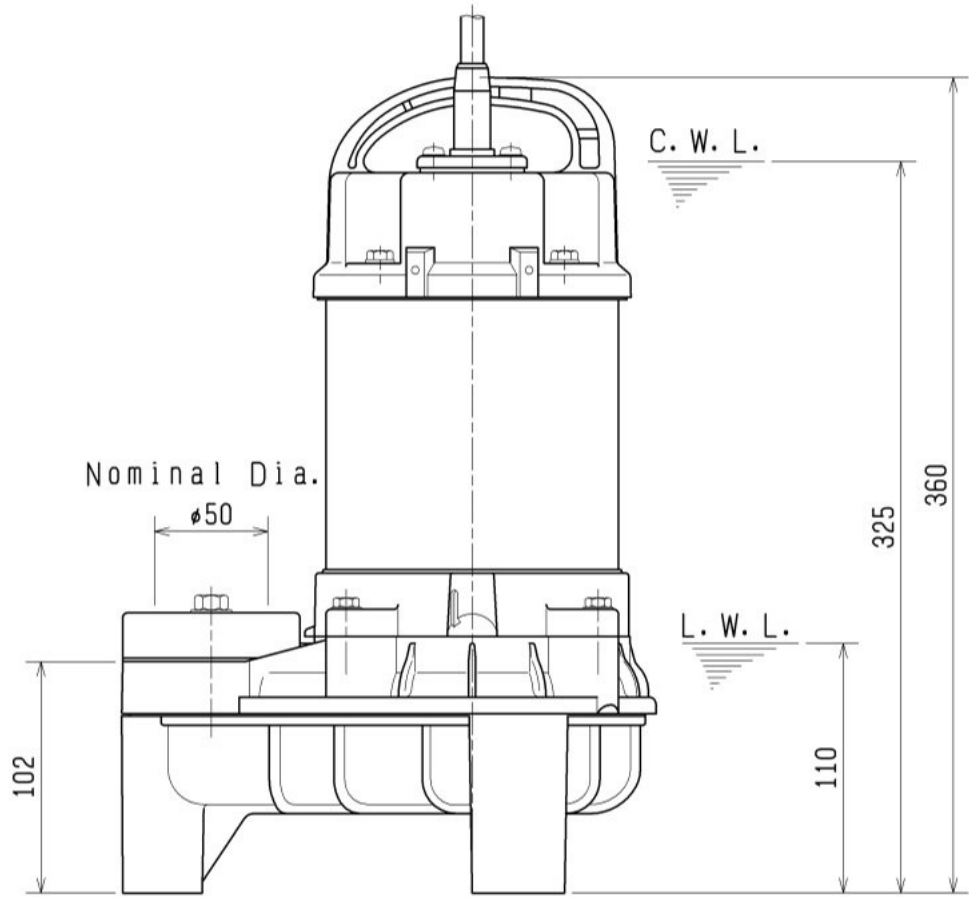
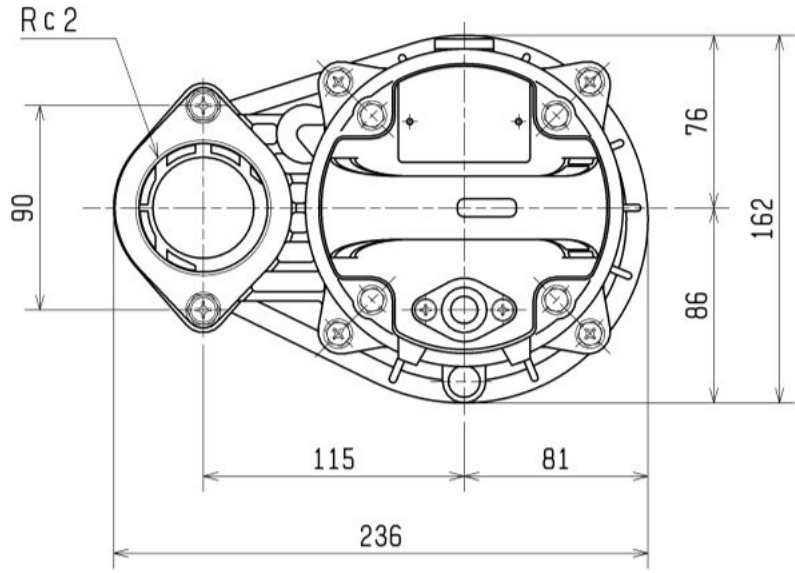


%	kW	m	
PUMP EFF.	OUT PUT	TOTAL HEAD	CAPACITY

TSURUMI MFG. CO., LTD.

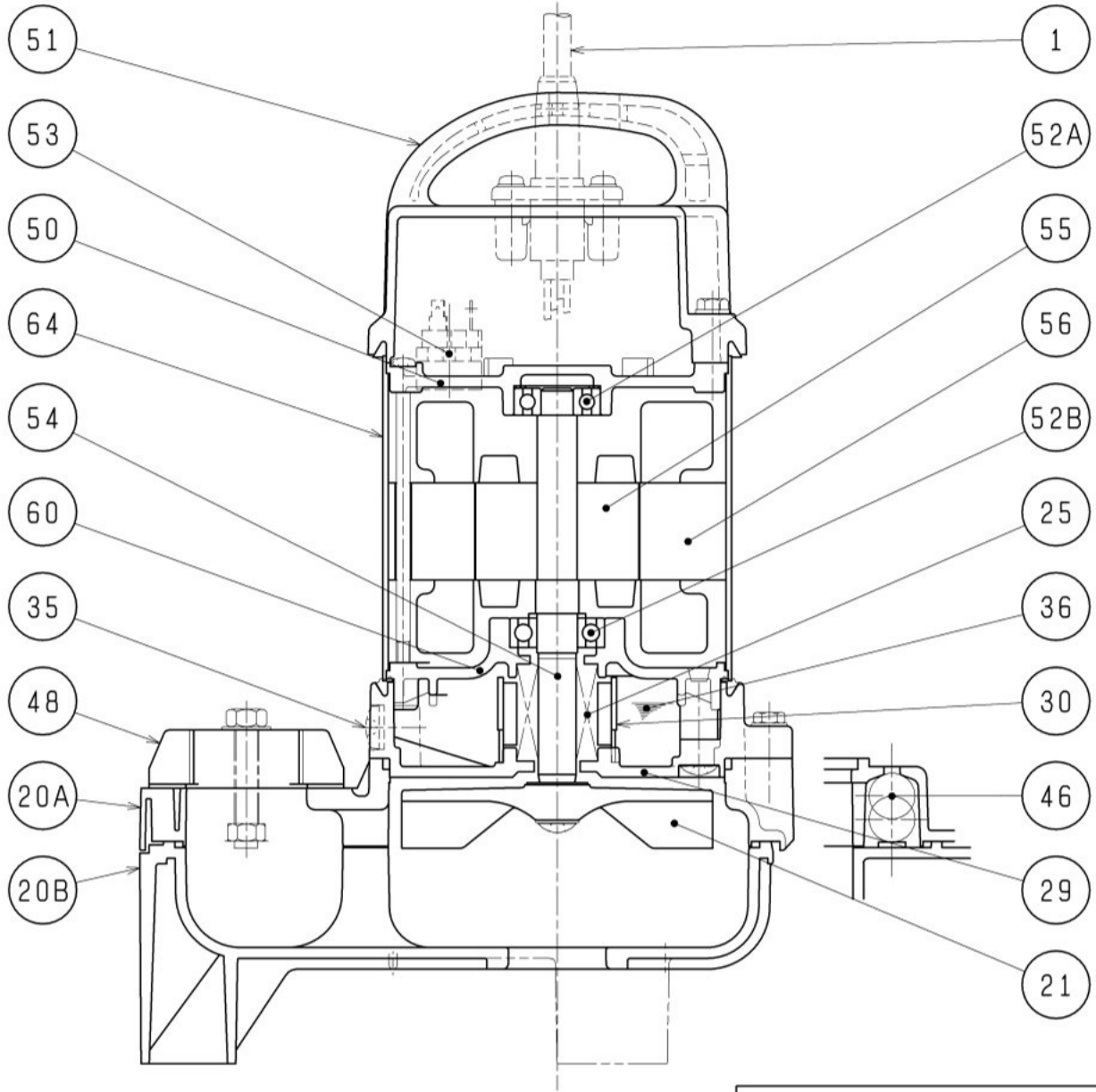
DIMENSION DRAWING		No.	No. A-09983-2
TYPE	Sewage Submersible Vortex Pump	MODEL	50PU.4 -53/63

Approximate Weight (※)
7kg
※excluding cable



L.W.L. :Lowest running Water Level
 C.W.L. :Continuous running Water Level

SECTIONAL DRAWING		No.	No. A-10022-3
TYPE	Sewage Submersible Vortex Pump	MODEL	40PU2.25 -53/63, 50PU2.25 -53/63 50PU2.4 -53/63 , 50PU2.75 -53/63



REQ. SPECIFICATION

* Upper and lower blocks form a one-piece casing.

No.	DESCRIPTION	QTY	MATERIAL / NOTE	No.	DESCRIPTION	QTY	MATERIAL / NOTE
1	Cable	1	PVC Sheath	51	Head Cover	1	Plastic W/GF
20A	Upper Pump Casing	* 1	Plastic W/GF	52A	Upper Bearing	1	6201ZZC3
20B	Lower Pump Casing		Plastic	52B	Lower Bearing	1	0.25/0.4kW:6202ZZC3 0.75kW :6302ZZC3
21	Impeller	1	Plastic W/GF	53	Motor Protector	1	
25	Mechanical Seal	1	W-14HC	54	Shaft	1	Stainless Steel 304
29	Oil Casing	1	Plastic W/GF	55	Rotor	1	
30	Oil Lifter	1	Plastic	56	Stator	1	
35	Oil Plug	1	Stainless Steel 304	60	Bearing Housing	1	Aluminium Die Casting
36	Lubricant		Liquid Paraffin (ISO VG32)	64	Motor Frame	1	Stainless Steel 304
46	Air Release Valve	1	Glass Ball				
48	Screwed Flange	1	Plastic W/GF				
50	Motor Bracket	1	Aluminium Die Casting				