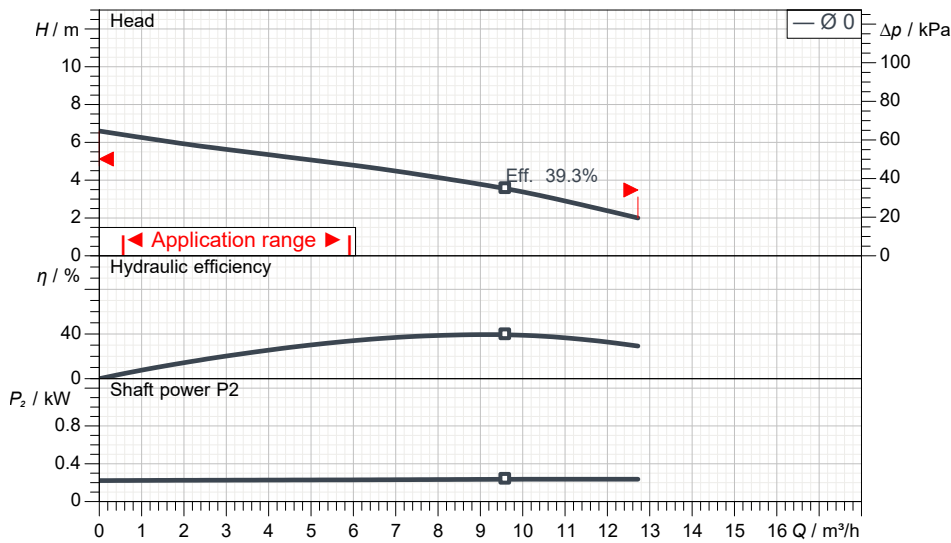


40PU2.25-53 380-415V
3~ 50 Hz
Technical specification


Characteristic curves according to UNI EN ISO 9906:2012
 P₂<10kW: paragraph 4.4.2
 10kW<P₂<100kW: Grade 3B
 P₂>100kW: Grade 2B
 for pumps with standard material combination

Pump

Series	PU
Pump name	40PU2.25-53 380-415V
Standard	

Motor data

Motor	VK3-3T(4) 380415/50 400440/60 #
Rated voltage	380 V
Frequency	50 Hz
Motor phases	3~
Number of poles	2
Rated power P ₂	0.25 kW
Rated current	0.9 A
rpm	2827 1/min
Rated torque	0.8 Nm
Start*	Direct starting

Degree of protection	IP 68
Insulation class	E
Protection device	Circle thermal protector
Type of oil	Liquid Paraffin(ISO VG32)
Oil amount	0.24 l

Hydraulic

Free passage	35 mm
Impeller type	Vortex impeller
Max. hydraulic efficiency	39.3 %
Discharge	40 mm
Curve tolerance	UNI EN ISO 9906:2012

Operating limits (standard pumps)

Max. ambient temperature	40 °C
Max. density treated liquid	1030 kg/m ³
pH treated liquid	5-9
Max. start per hour (equally distributed)	10
Wet/dry use	WET
Operating mode	S1

Construction materials

Motor enclosure	304 Stainless Steel
Shaft	304 Stainless Steel
Pump Casing	ABS resin with glass fiber
Impeller	PPO resin with glass fiber
Suction Cover	
Painting	
Screws	304 Stainless Steel
Gaskets	NBR

Construction features

Power cable1	4C*1.25mm ²
Power cable2	N/A
Sheath	VCT
Control cable	N/A
Sheath	N/A
Cable length	6 m
Mechanical seals	W-14HC
Weight*	6.1 kg

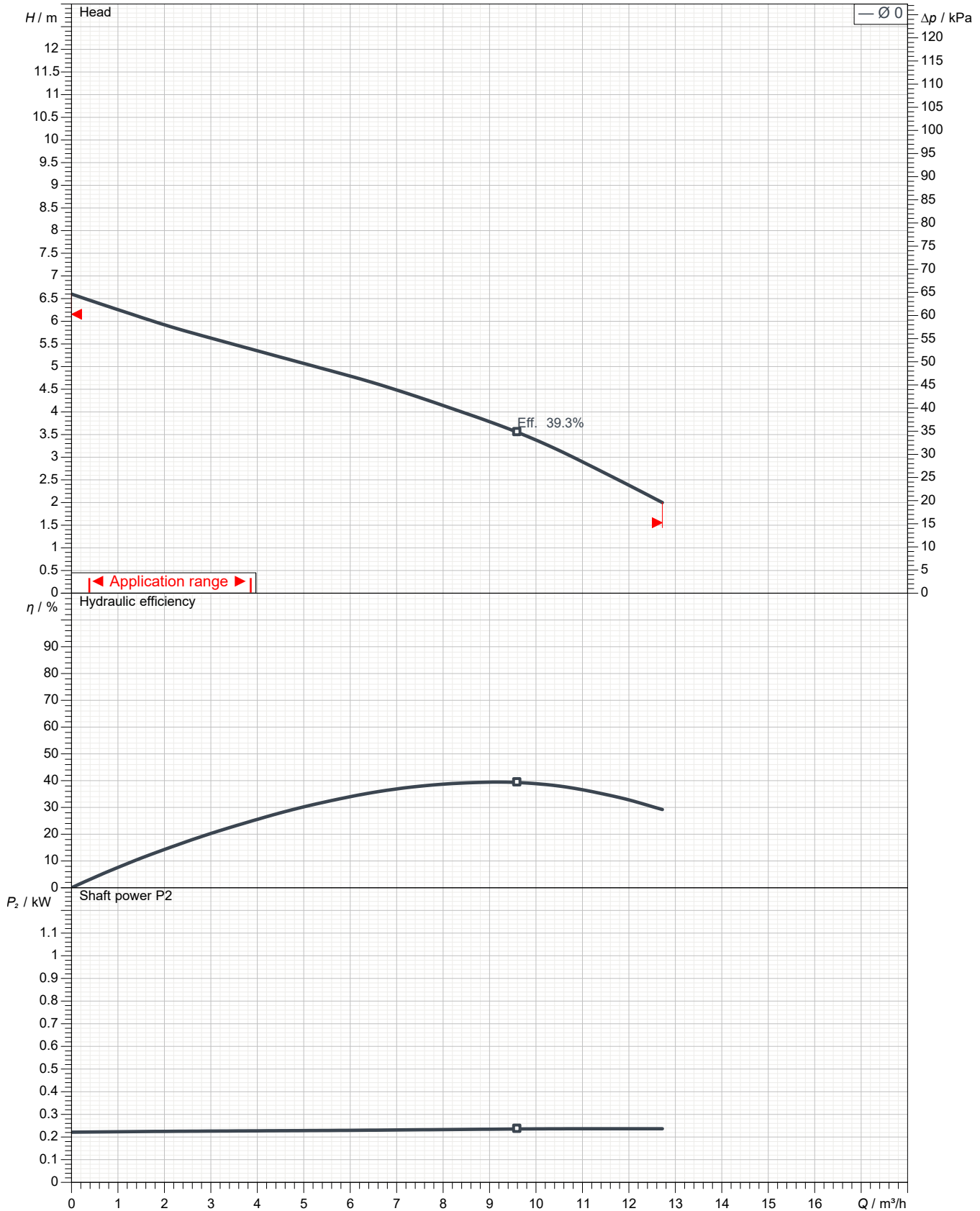
* cable and fixing system excluded

Monitoring features

Monitoring option	
leaking sensor -	N/A
monitoring equipment -	N/A

40PU2.25-53 380-415V
Pump performance curves
3 ~ 50 Hz

Discharge 40 mm	Head	Capacity	Rated power 0.3 kW	Voltage 380 V	Current 0.9 A	rpm 2827 1/min
---------------------------	-------------	-----------------	------------------------------	-------------------------	-------------------------	--------------------------

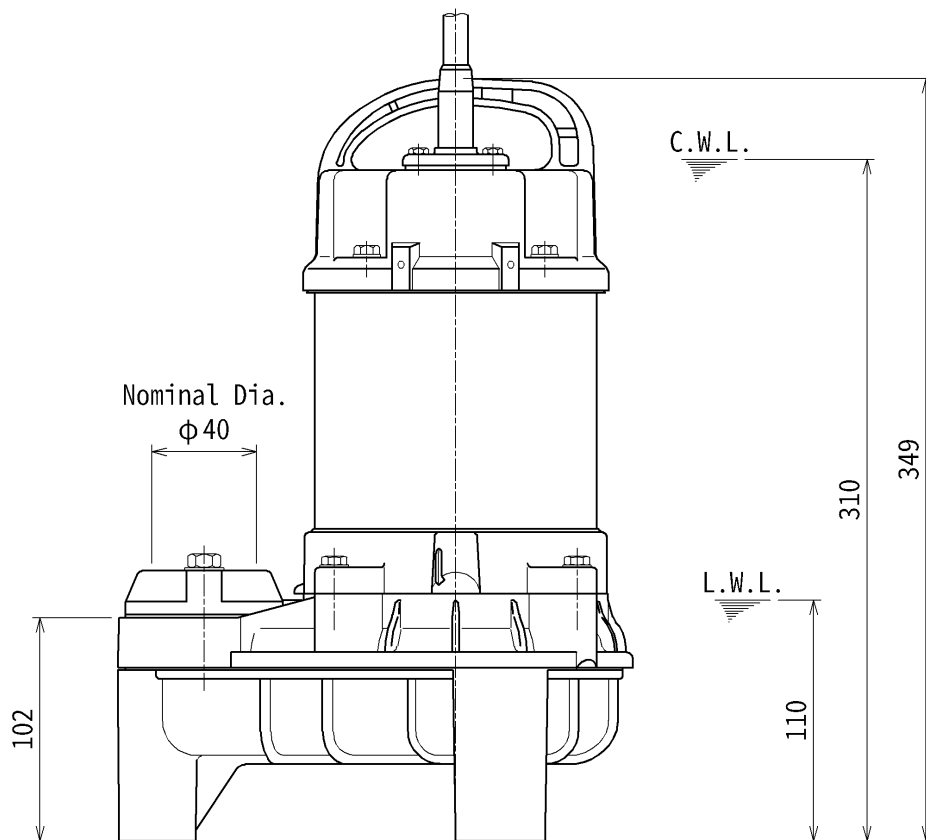
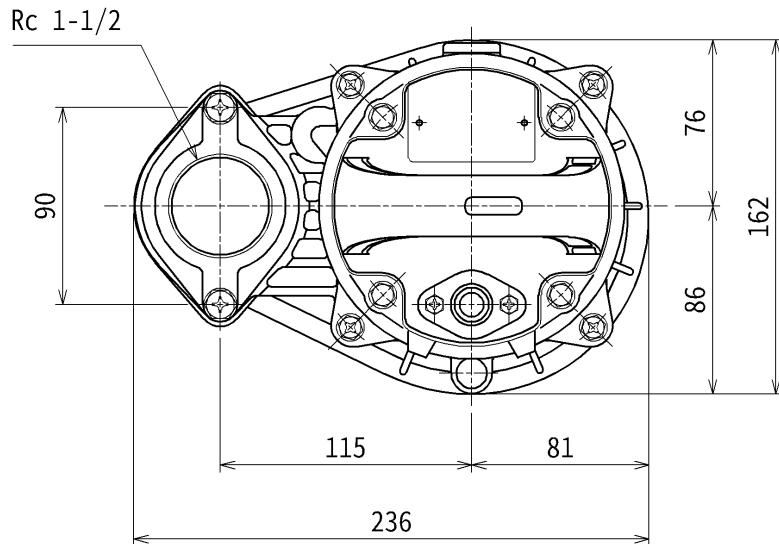


Characteristic curves according to UNI EN ISO 9906:2012 for pumps with standard material combination
 P₂<10kW: paragraph 4.4.2
 10kW<P₂<100kW: Grade 3B
 P₂>100kW: Grade 2B

DIMENSION DRAWING		No.	No.	A-20936-35
TYPE	Submersible Resin-made Sewage & Wastewater Pump	MODEL	40PU2.25 -53	

Approximate Weight(※)
6.1kg

※excluding cable



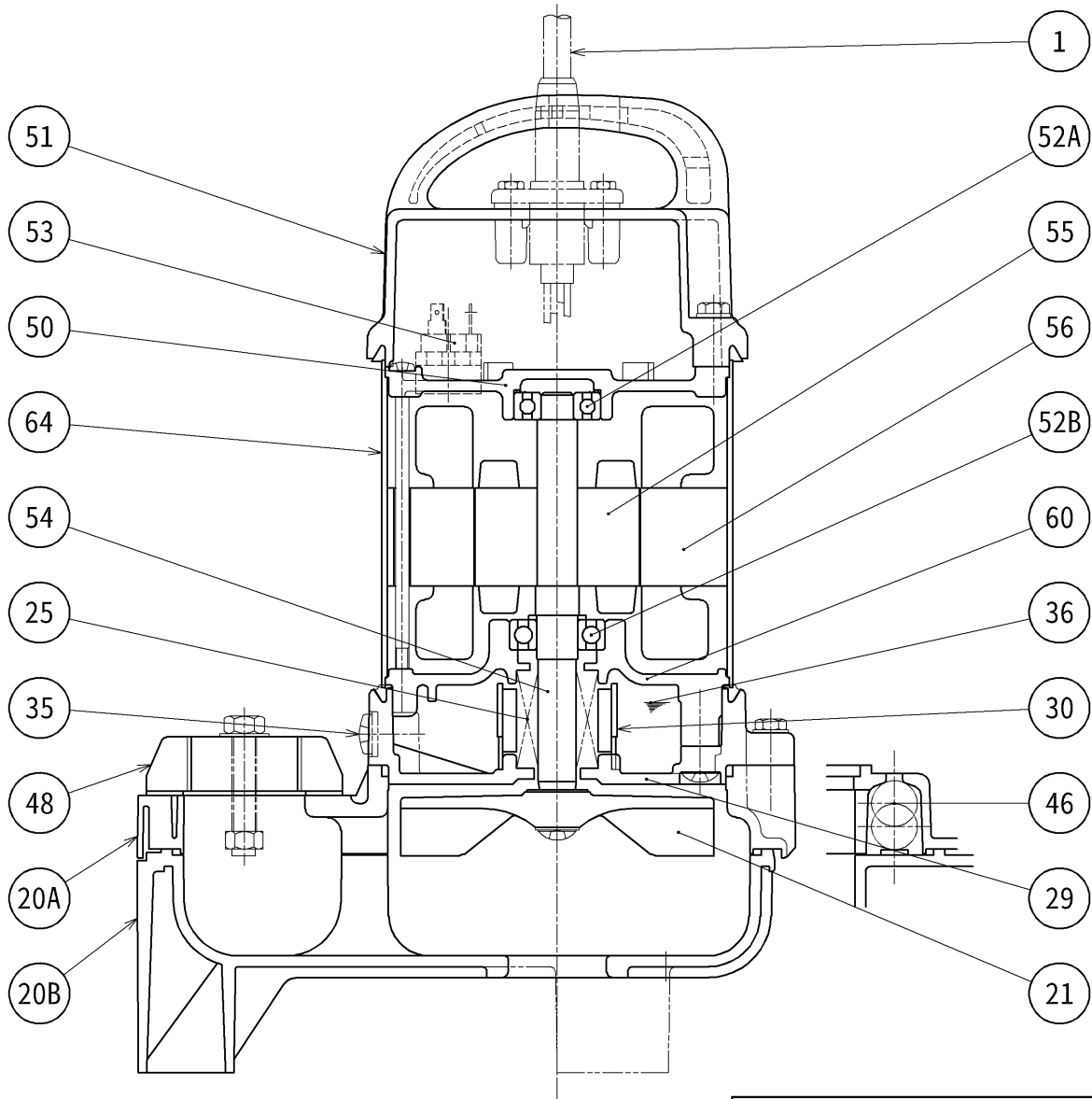
C.W.L.:Continuous running Water Level
L.W.L.:Lowest running Water Level

TSURUMI MFG. CO., LTD.

unit:mm

Created on: 2025-03-11

SECTIONAL DRAWING		No.	No. A-23071-35C
TYPE	Submersible Resin-made Sewage & Wastewater Pump	MODEL	40PU2.25 -53



REQ. SPECIFICATION

※1 Upper and lower blocks form a one-piece casing.

No.	DESCRIPTION	Q'TY	MATERIAL / NOTE	No.	DESCRIPTION	Q'TY	MATERIAL / NOTE
1	Cable	1	PVC Sheath	51	Head Cover	1	Plastic W/GF
20A	Upper Pump Casing(※1)	1	Plastic W/GF	52A	Upper Bearing	1	6201ZZC3
20B	Lower Pump Casing(※1)	1	Plastic	52B	Lower Bearing	1	6202ZZC3
21	Impeller	1	Plastic W/GF	53	Motor Protector	1	
25	Mechanical Seal	1	W-14HC	54	Shaft	1	304 Stainless Steel
29	Oil Casing	1	Plastic W/GF	55	Rotor	1	
30	Oil Lifter	1	Plastic	56	Stator	1	
35	Oil Plug	1	304 Stainless Steel	60	Bearing Housing	1	Aluminium Die Casting 12
36	Lubricant		Liquid Paraffin(ISO VG32)	64	Motor Frame	1	304 Stainless Steel
46	Air Release Valve	1	Glass Ball				
48	Screwed Flange	1	Plastic W/GF				
50	Motor Bracket	1	Aluminium Die Casting 12				

TSURUMI MFG. CO., LTD.