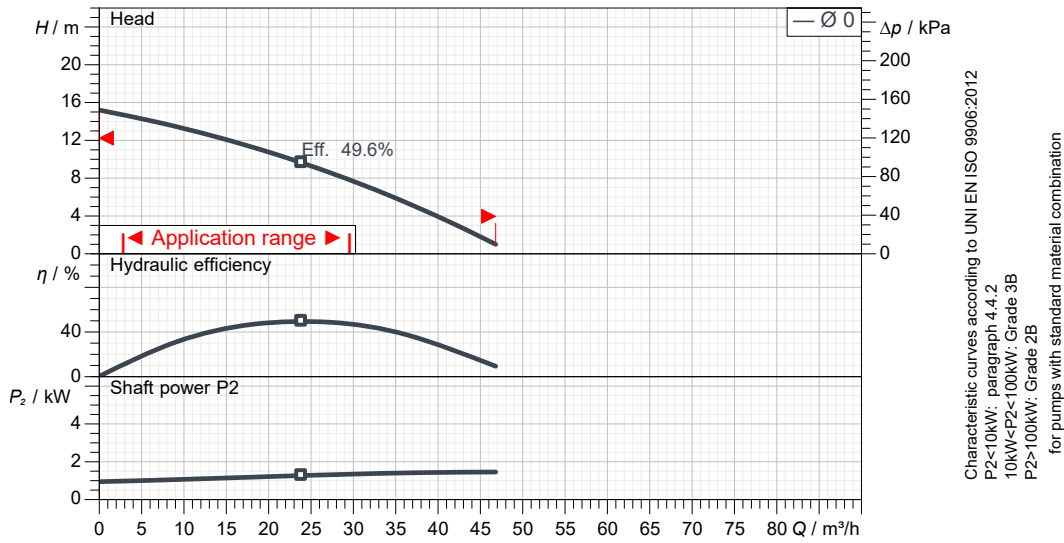


80PU21.5-52 380-415V
Technical specification
3~ 50 Hz

Pump

Series	PU
Pump name	80PU21.5-52 380-415V
Standard	

Motor data

Motor	VK-15T(2) 380/420-50 D
Rated voltage	380 V
Frequency	50 Hz
Motor phases	3~
Number of poles	2
Rated power P2	1.50 kW

Rated current	4.1 A
rpm	2885 1/min
Rated torque	5.0 Nm
Start*	Direct starting

Degree of protection	IP 68
Insulation class	E
Protection device	Circle thermal protector
Type of oil	Liquid Paraffin(ISO VG32)
Oil amount	0.5 l

Hydraulic

Free passage	46 mm
Impeller type	Vortex impeller
Max. hydraulic efficiency	49.6 %
Discharge	80 mm
Curve tolerance	UNI EN ISO 9906:2012

Operating limits (standard pumps)

Max. ambient temperature	40 °C
Max. density treated liquid	1030 kg/m³
pH treated liquid	5-9
Max. start per hour (equally distributed)	6
Wet/dry use	WET
Operating mode	S1

Construction materials

Motor enclosure	304 Stainless Steel
Shaft	304 Stainless Steel (wetted part)
Pump Casing	PA+ABS resin with glass fiber
Impeller	PPO resin with glass fiber
Suction Cover	
Painting	
Screws	304 Stainless Steel
Gaskets	NBR

Construction features

Power cable1	4C*1.25mm2
Power cable2	N/A
Sheath	VCT
Control cable	N/A
Sheath	N/A
Cable length	6 m
Mechanical seals	H-20A
Weight*	16 kg

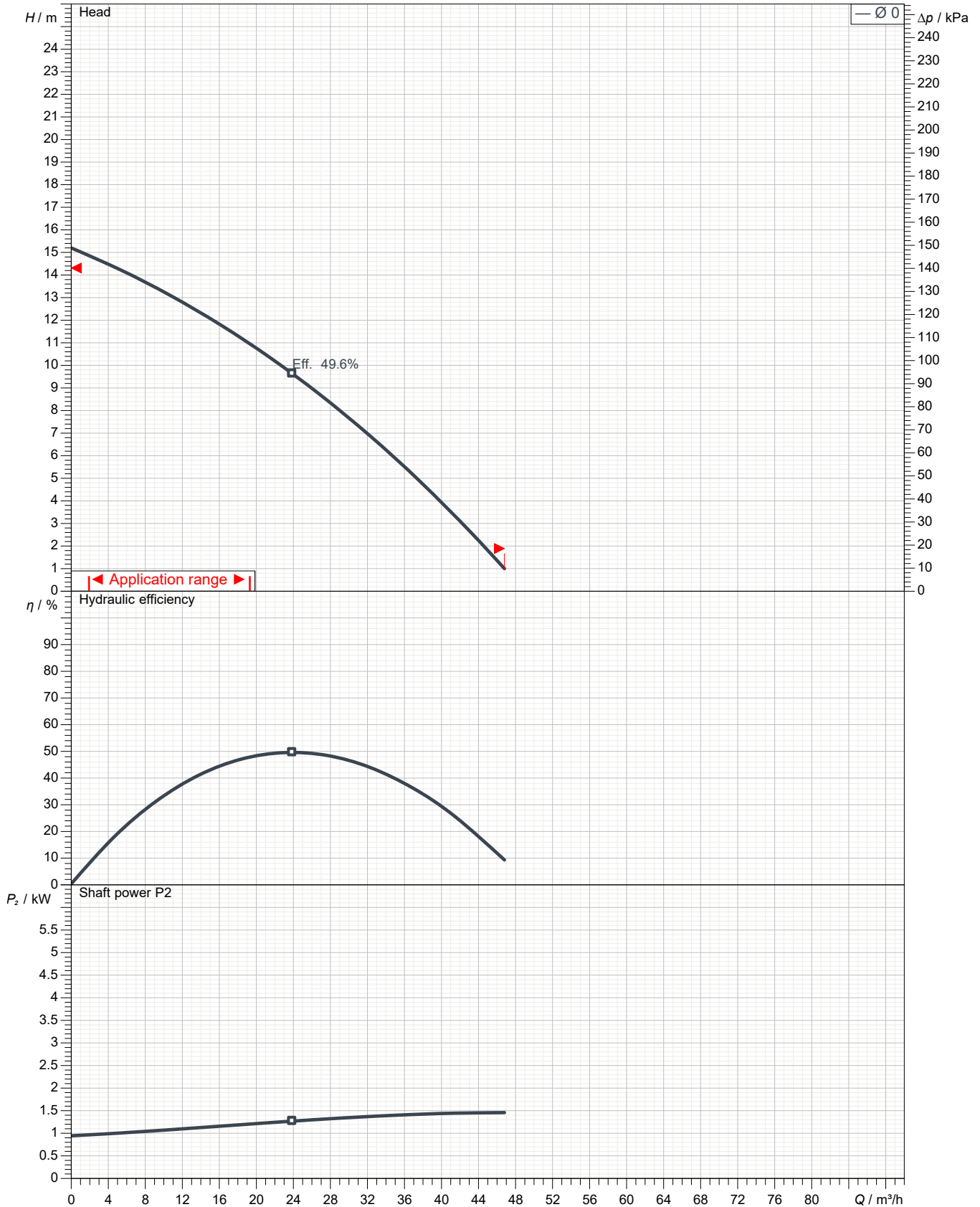
* cable and fixing system excluded

Monitoring features

Monitoring option	
leaking sensor	- N/A
monitoring equipment	- N/A

80PU21.5-52 380-415V
Pump performance curves
3 ~ 50 Hz

Discharge 80 mm	Head	Capacity	Rated power 1.5 kW	Voltage 380 V	Current 4.1 A	rpm 2885 1/min
---------------------------	-------------	-----------------	------------------------------	-------------------------	-------------------------	--------------------------

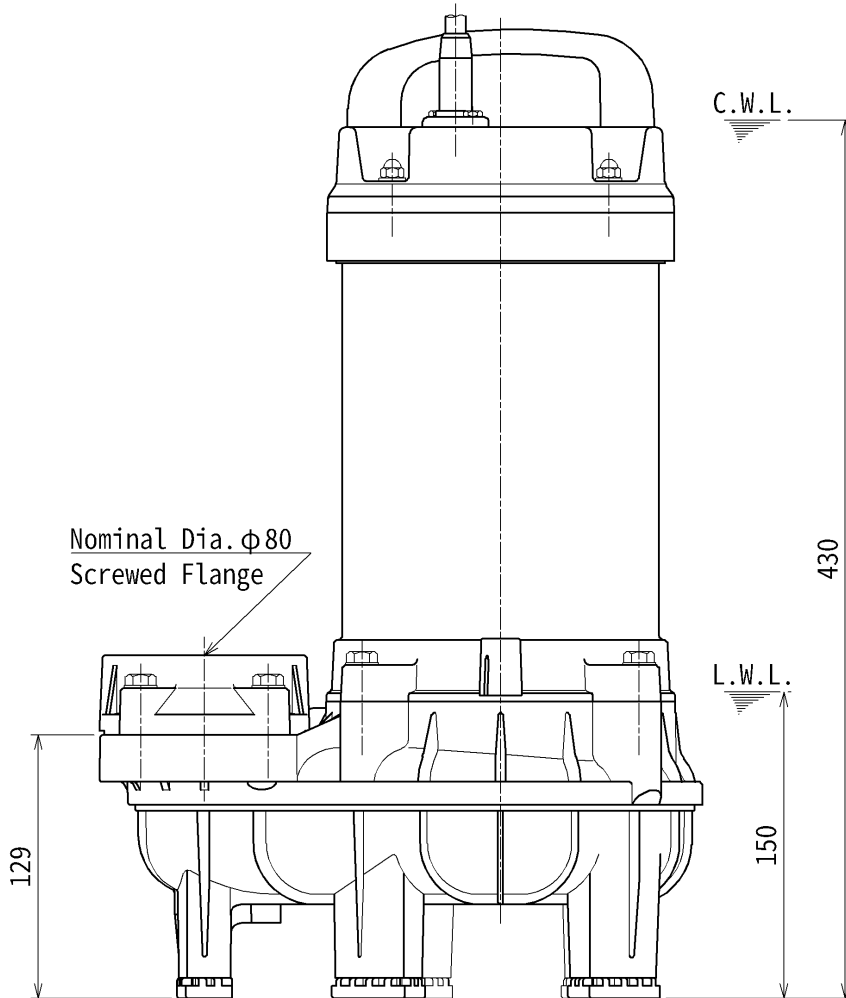
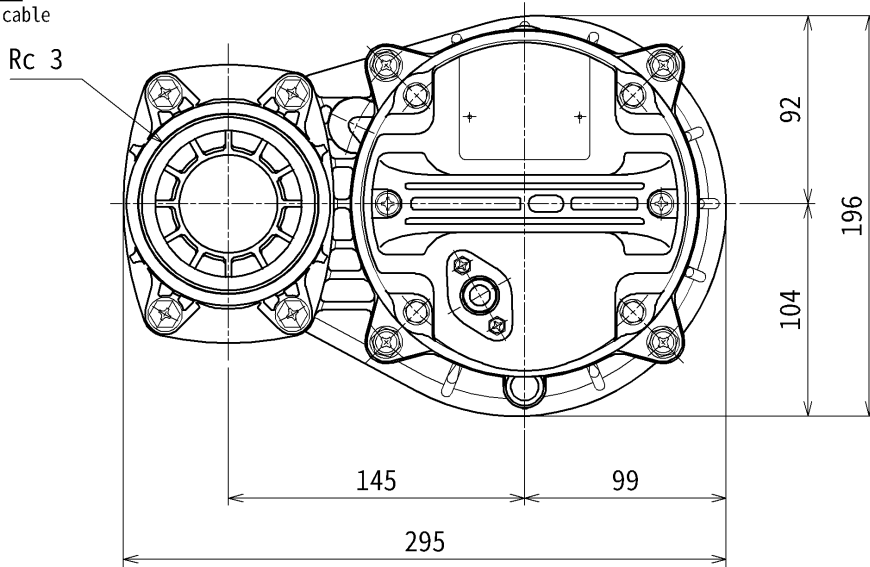


Characteristic curves according to UNI EN ISO 9906:2012 for pumps with standard material combination
 P2 < 10kW: paragraph 4.4.2
 10kW < P2 < 100kW: Grade 3B
 P2 > 100kW: Grade 2B

DIMENSION DRAWING		No.	No.	A-18340-45
TYPE	Submersible Resin-made Sewage & Wastewater Pump	MODEL	80PU21.5 -52	

Approximate Weight(※)
16.0kg

※excluding cable



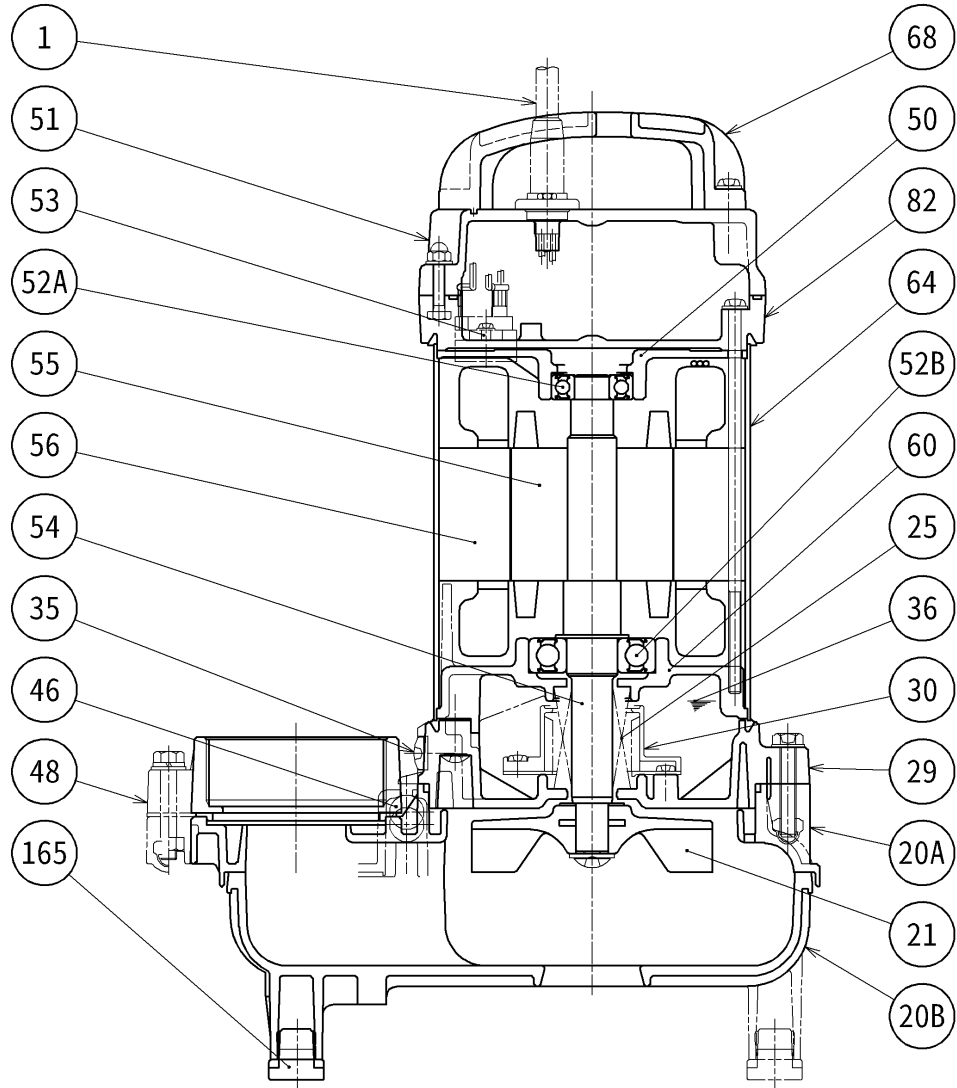
C.W.L.:Continuous running Water Level
L.W.L.:Lowest running Water Level

TSURUMI MFG. CO., LTD.

unit:mm

Created on: 2025-03-11

SECTIONAL DRAWING		No.	No.	A-18343-55
TYPE	Submersible Resin-made Sewage & Wastewater Pump	MODEL	80PU21.5 -52	



REQ. SPECIFICATION	

※1 Upper and lower blocks form a one-piece casing.
 ※2 the wetted part

No.	DESCRIPTION	Q'TY	MATERIAL / NOTE	No.	DESCRIPTION	Q'TY	MATERIAL / NOTE
1	Cable	1	PVC Sheath	52A	Upper Bearing	1	6203ZZC3
20A	Upper Pump Casing(※1)	1	Plastic W/GF	52B	Lower Bearing	1	6305ZZC3
20B	Lower Pump Casing(※1)	1	Plastic W/GF	53	Motor Protector	1	
21	Impeller	1	Plastic W/GF	54	Shaft	1	304 Stainless Steel(※2)
25	Mechanical Seal	1	H-20A	55	Rotor	1	
29	Oil Casing	1	Plastic W/GF	56	Stator	1	
30	Oil Lifter	1	Plastic	60	Bearing Housing	1	Aluminium Die Casting 12
35	Oil Plug	1	304 Stainless Steel	64	Motor Frame	1	304 Stainless Steel
36	Lubricant		Liquid Paraffin(ISO VG32)	68	Handle	1	Plastic
46	Air Release Valve	1	Glass Ball	82	Head Cover Spacer	1	Plastic W/GF
48	Screwed Flange	1	Plastic W/GF	165	Rubber Foot	5	Nitrile Butadiene Rubber
50	Motor Bracket	1	Aluminium Die Casting 12				
51	Head Cover	1	Plastic W/GF				